

60G TO 300G INDICATING SILICA GEL FILLED IN-LINE DESICCATORS



Product Description

This In-Line Desiccator is rated for a maximum pressure of 20 psi. This desiccator houses indicating silica gel and has a 25-micron (nominal) outlet filter.

The desiccator is supplied with PVC tubing (1.5 meters long) and tube inserts.

The inlet air must be clean and free from liquid water. The unit is also refillable and can be supplied with alternative connections if required.

Industries Served

- Aerospace
- Defence
- Electronics
- Power & Refinery



STREAM PEAK INTERNATIONAL PTE LTD
Tel: +65 6610 7921 | Fax: +65 6862 2520
Email: enquiry@streampeak.com.sg

Valuing Relationships, Protecting Goods
Address: 26 Tuas South Street 3, S(638026)
Website: www.streampeak.com.sg

Key Features

- Point of use dry air
- Low cost
- Easy installation
- Available with condition indicator
- Different filtration levels available
- Compression fitting interface
- Low - medium pressure ratings



Product Applications

- Air Exhaust Lines
- Vacuum Lines
- Low Pressure Compressed Air Lines
- Marine Vehicles

Product Specifications

Desiccant Type	Desiccant Capacity	Maximum Working Pressure
Indicating Silica Gel	0.06kg-0.3kg	20 psi

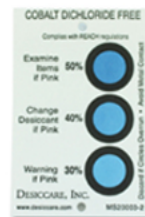
Related Products



Silica Gel



1Kg Molecular Sieves & Silica Gel In-Line Dryer



Humidity Indicator Card



Desiccant Refills



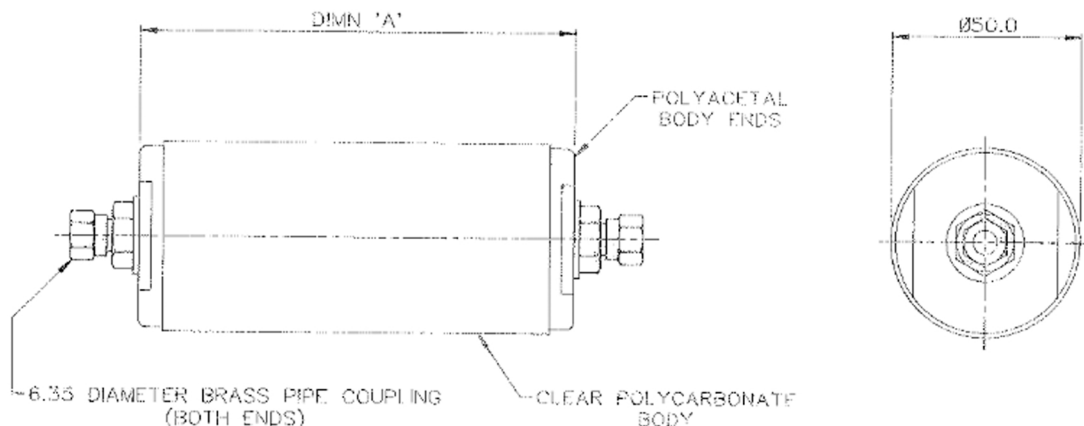
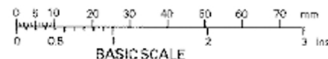
THIS DESIGN IS THE PROPERTY OF BROWNELL LTD AND MAY NOT BE COPIED OR REPRODUCED WITHOUT THEIR PRIOR WRITTEN PERMISSION

DRG. No.
BL/D 6927/01-05 INST
USED ON

THIRD ANGLE PROJECTION

REMOVE ALL SHARP EDGES UNLESS SPECIFIED

DO NOT SCALE - ASK



NOTES

1. CONTAINS INDICATING BEADED SILICA GEL DESICCANT.
2. MAXIMUM WORKING PRESSURE: 20 PSI.
3. OUTLET FILTER: 25 MICRON (NOMINAL).
4. CONFORMS TO PRODUCT SPECIFICATION REF M.
5. PIPELINE DRYER TO BE SUPPLIED WITH PVC TUBING (1.5 METRE LONG) & TUBE INSERTS.

DRG No	DIMN 'A'	NOMINAL DESICCANT CAPACITY
BL/D6927/01	85.0	60 GRM
BL/D6927/02	115.0	100 GRM
BL/D6927/03	215.0	200 GRM
BL/D6927/04	300.0	300 GRM
BL/D6927/05	165.0	150 GRM

1.5M LB TUBING WAS IN	4777	D	20/9/95
TUBING ADDED (NOTE 5)	4625	C	9/7/95
/04 & 05 ADDED	4496	B	8/6/94
		A	13/5/94
CHANGE	MOD. No.	ISSUE	DATE

MATERIAL AS STATED	PROTECTIVE TREATMENT -	TOLERANCES UNLESS STATED ±1.0	BROWNELL LTD. LONDON; N.W.10.		CUSTOMERS REF.	DRAWN LJ	CHECKED SK
EST. WT. -		DIMNS. IN: 1/16 & 1/32 / mm.	TITLE PIPELINE DRYER		DRAWING No. BL/D 6927/01-05 INST		
		SCALE (ORIGINAL) 1 : 1					